



**Electrolux**  
PROFESSIONAL

## Service Trolleys 7 GN 1/1 Container Trolley

ITEM # \_\_\_\_\_

MODEL # \_\_\_\_\_

NAME # \_\_\_\_\_

SIS # \_\_\_\_\_

AIA # \_\_\_\_\_



361252 (CTR71)

7x1/1GN Container Trolley

### Short Form Specification

Item No. \_\_\_\_\_

Constructed in 304 AISI stainless steel. Framework in square 25x25mm tubing, completely welded. The C-shaped "non-tip" runners, with upturn at each end, can accommodate GN containers 1/1, 1/2 and 1/3. N. 4 swivelling castors, two with brakes, mm125 in diameter, fitted with plastic bumpers.

### Main Features

- Framework in square 25x25 mm tubing, completely welded.
- Equipped with C-shaped "non-tip" runners, with upturn at each end.
- Accomodates 1/1 GN containers.
- 4 pivoting Ø 125 mm wheels, 2 of which with brakes, fitted with plastic bumpers

### Construction

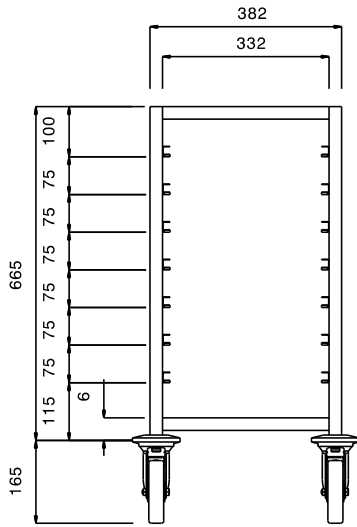
- Constructed entirely in 304 AISI stainless steel.

APPROVAL: \_\_\_\_\_

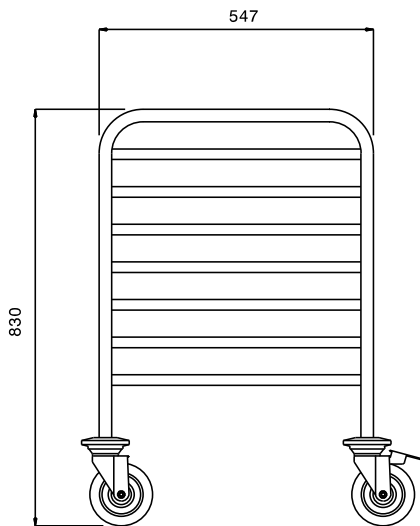


Experience the Excellence  
[www.electroluxprofessional.com](http://www.electroluxprofessional.com)

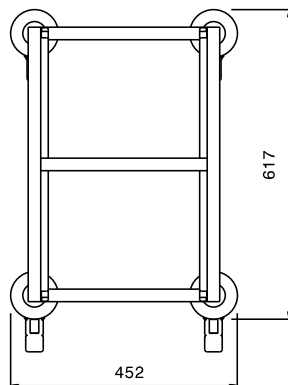
Front



Side



Top



**Key Information:**

<b>External dimensions, Width:</b>	
<b>361252 (CTR71)</b>	452 mm
<b>External dimensions, Depth:</b>	617 mm
<b>External dimensions, Height:</b>	830 mm
<b>Wheel material:</b>	Zinc plated
<b>Wheel diameter:</b>	Ø 125
<b>Net weight:</b>	13 kg